

WASTE CONTAINER VIC-2000

DESCRIPTION

The material of the waste container **VIC-2000** is medium-density polyethylene that gathers the highest resistance to hits and breaks. It's manufactured through a rotational molding process.

- Heavy duty.
- It includes UV protection that guarantees less wear and tear.
- It has four parts: a body and a lid with two smaller lids used as a hatch.
- The lids, slightly larger than the body, prevent the leakage of bad odors and sources of infection and water from entering. In addition, the hatch facilitates the access of plastic bags.
- Its body has a smooth interior and rounded corners that avoid the accumulation of residues.
- It has four caster wheels of 8" Ø that improve its transportation.
- It has two pickup pockets on the sides for lifting and discharging the garbage truck.
- Low costs of investment and maintenance.
- It's manufactured under international norms and standards for working with an automated waste collection system.

FUNCTIONALITY

The design of the waste container **VIC-2000** makes for an easy manual or automatic transfer of residues.

- Any lift system can discharge the waste.
- Since it doesn't have edges or defects, it facilitates the cleaning and discharge of waste.



CUSTOMIZATION

We can label it with the legend of the type of material or your logo according to your needs.

FEATURES

CAPACITY: 2000 L (528 US gal)

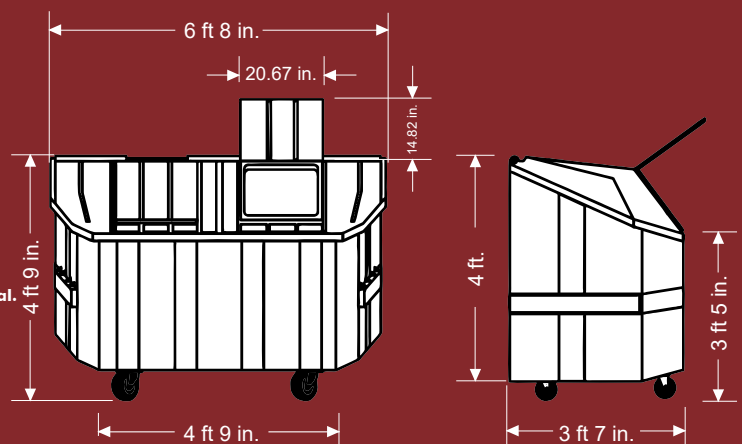
WEIGHT: 264 lb.

WASTE CONTAINER COLOR CODING:

- | | |
|--|---|
| gr Organic: Food, fruits, and vegetables. | bl Plastic: Bottles. |
| gr Inorganic: Fabric, shoes, boxes, etc. | rd Bio hazardous and biomedical. |

MEASURES:

- Width:** 3 ft 7 in.
Length: 6 ft 8 in.
Height: 4 ft 9 in.



Volumes, dimensions, and other measures are nominal and may vary by approximately 2 %.